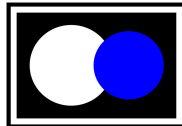


# AS LED Lamp

*Agropian System*

V 1.0



**Technical description**  
**Manual Installation and Operation**

## **WARNING!**

Before starting work, be sure to read this manual.  
For damages caused by improper use of the device,  
or incorrect installation electricity needed to power  
the manufacturer is not liable.

## 1.General Description / Characteristics

Series of lamps with LED light source dedicated to agriculture and industrial space which is required high tightness, resistance to dust penetration and increased resistance to chemicals. Designed for use in areas with specific environmental conditions.

## 2. Designed for

The main purpose of the lamp is lighting any agriculture and industrial space, for animal breeding chickens, geese, pigs, rabbits, mushroom production and all other farm buildings. The light source can be used in the assembly and production halls, warehouses, storage rooms, cold rooms, parking lots, corridors and passageways.

## 3.The construction of lamps

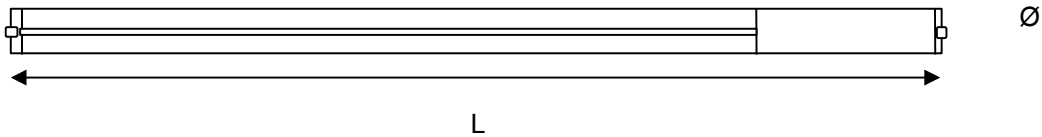
### a.general description

The lamp is made of transparent polycarbonate tube (PC), closed by two plugs extending made of a mixture of polycarbonate reinforced with glass in light gray color. The plugs are sealed with O-ring rubber NBR and completed the standard choke PG11.

All tubes AS LED series can operate at temperatures from -30 to + 40 ° C.

The lamp can be made dimmable version.

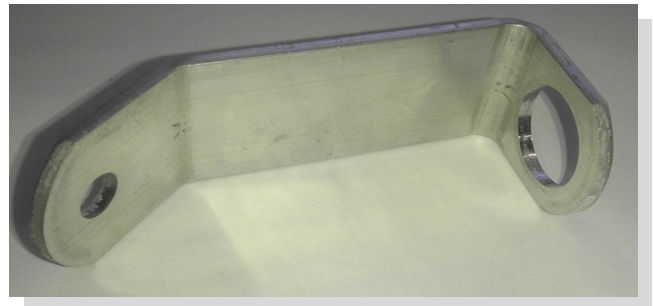
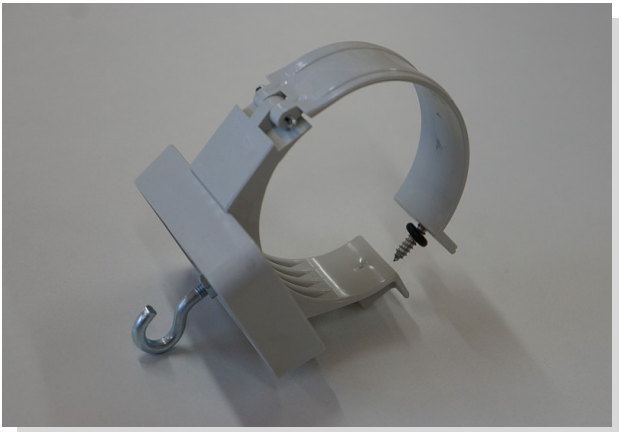
### b.dimensions



Power LED light source	Number of modules	L	Ø
18W	2	1510	70
18W	2 or 3	910	70
30W	4	1510	70

### b.fixing lamps

The lamp is equipped with a standard set of handles, which allow the safe installation without loss of tightness lamps. Depending on the subtype of lamps, the kit includes two mounting brackets made of polycarbonate reinforced glass to hang lights on the ceiling / wall or metal handle to hang the lamp in a vertical position. To hang lights on the ceiling / wall, you should use the M5 screws depending on the substrate, with or without wall plugs.



### c. Conditions of use

The lamps are designed for fixed installation, indoors and outdoors.

Lamps can be immersed in water to a maximum depth of 1m.

## 4.Operation, maintenance and installation

### a.Maintenance

Taking steps to ensure safety through their proper use load, assembly and disassembly, perform inspection, inspection, maintenance and technical condition assessment. Service lamps can be performed only by qualified personnel with the appropriate permissions.

### b.Installation, maintenance, repair and overhaul

#### **BEFORE REMOVING DAMAGED OR FAULTY LAMP MUST BE STRICTLY TURN OFF THE POWER**

#### **Assembly and lamp replacement can be made only by persons with appropriate permissions**

Before replacing the lamp should be carried out the inspection. Do not mount damaged or faulty lamps.

The lamp has a LED light source which is mounted permanently possible replacement LED light source can It is made only by a service manufacturer of the lamp.

The lamp is provided by the manufacturer in assembled form and ready for assembly, is derived outside wires Y type, which must be connected to the electrical system.

Before installation, make sure that the cable glands are tight.

If an external hose is damaged, it can be replaced only by the manufacturer or its service.

Never disassemble lamp (interference will invalidate the warranty).

**All repairs can be made only by the lamp manufacturer or an authorized service center.**

Do not allow excessive accumulation of dust and dirt on the housing.

Lamp socket can be washed with water jet using detergents.

### c.Connecting the power to the lamp

When connecting the power should exercise extreme caution.

You should carefully tighten the wires paying particular attention to the fact that the appropriate cables are connected to the appropriate line connection (L, N, PE) Figure 1 (L, N, PE, KOM-A KOM-B) - Figure 2 version dimmable

**Lamp dimmable versions only work with a dedicated controller SL-AS LED**

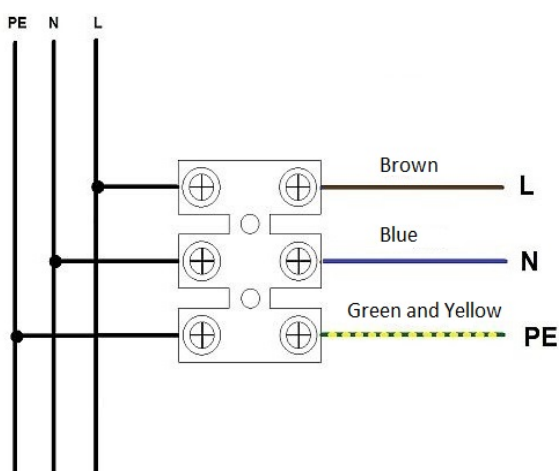


Figure 1

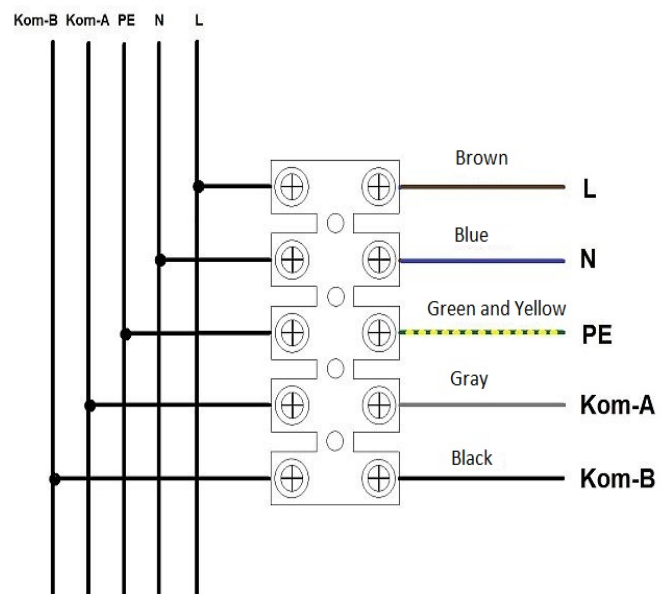


Figure 2

Each lamp has a piped connection cable 5x1,5mm<sup>2</sup> length 1m, it is possible output cable of any length according to your preference, there is also the possibility of exit cable on both sides of the lamp ( through ).

Exiting cable is sealed gland PG11 which guarantees the tightness of the lamp at the level of degree IP68

To provide the seal at the point of attachment of the second end of the cable should be used boxes, connectors, stuffing box, which guarantee behavior tightness at the level of IP68. degrees

**Lights connections to the power grid must be made in accordance with applicable regulations and regulations and taking into account the data arising from technical specifications.**

<b>TECHNICAL SPECIFICATIONS</b>	<b>Power lamp</b>	
	<b>21W</b>	<b>34W</b>
<b>Rated input voltage</b>	230V +-10% AC	
<b>Frequency network</b>	50Hz	
<b>Electrical supply</b>	(230V) 0,10A	0,16A
<b>Output power LEDs</b>	18W	30W
<b>Power loss</b>	<3W	<4W
<b>Power factor (PF)</b>	>0,50	>0,90
<b>Efficiency</b>	>86%	>88%
<b>Energy consumption in standby mode</b>	<0,3W	
<b>Operating voltage LEDs</b>	24 V	
<b>Current LEDs</b>	0,75A	1,25A
<b>Diody LED</b>	Osram DURIS E5,P5	
	64szt – 21W and 128pcs – 34W (+8pcs blue - option)	
<b>Max.number of device at fuse 16A</b>	(RCD 30mA)	60 pcs
<b>Interface dimmable</b>	MS-1 0-100%	
<b>Wireline communications,</b>	Tak 2x1,5mm2	
<b>Overload protector</b>	Aut. Reversible	
<b>Protection against overheating</b>	Aut. Reversible	
<b>Durability LEDs</b>	50 000h at 25°C	
<b>Max. ambient temperature</b>	-20+45°C	
<b>Storage temperature</b>	-35 +85°C	
<b>Protection class</b>	II	
<b>Degree of protection IP</b>	IP68	
<b>Degree of protection IK</b>	IK10	

**The manufacturer reserves the right to make changes in the functioning and the use of lamps, in order to improve the product.**



## VERSIONS OF THE PRODUCT / TYPE-SPECIFICATION

Type	Adjusting the brightness	Number mod. LED	LED Power [W]	The luminaire wattage [W]	The efficacy [lm / W]	The stream luminaire [lm]	Temp. Color [K]	CRI [Ra]	Dimensions [mm] L Hø	Beam angle °	Weight [kg]
LD2XBC	-	2	18	21	115	2304	3000	>80	1510x70	120	1,8
LD2XBZ	-	2	18	21	115	2304	4000	>80	1510x70	120	1,8
LD2XBCS	T	2	18	21	115	2304	3000	>80	1510x70	120	1,8
LD2XBZS	T	2	18	21	115	2304	4000	>80	1510x70	120	1,8
LD2XBNCS	T	2	18	21	115	2304	3000	>80	1510x70	120	1,8
Blue			4						1510x70		
LK3XBC	-	3	18	21	115*	2304*	3000	>80	910x70	360*	1,3
LK3XBZ	-	3	18	21	115*	2304*	4000	>80	910x70	360*	1,3
LK3XBCS	T	3	18	21	115*	2304*	3000	>80	910x70	360*	1,3
LK3XBZS	T	3	18	21	115*	2304*	4000	>80	910x70	360*	1,3
LK2XBC	-	2	18	21	115	2304	3000	>80	910x70	120	1,4
LK2XBZ	-	2	18	21	115	2304	4000	>80	910x70	120	1,4
LK2XBCS	T	2	18	21	115	2304	3000	>80	910x70	120	1,4
LK2XBZS	T	2	18	21	115	2304	4000	>80	910x70	120	1,4
LD4XBC	-	4	30	34	115	3904	3000	>80	1510x70	120	2,0
LD4XBZ	-	4	30	34	115	3904	4000	>80	1510x70	120	2,0
LD4XBCS	T	4	30	34	115	3904	3000	>80	1510x70	120	2,0
LD4XBZS	T	4	30	34	115	3904	4000	>80	1510x70	120	2,0

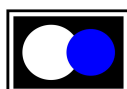
### IDENTIFICATION OF TYPE LAMP

For example: **LD 2X B C S**

Lamp long, 2 modules, white led, warm light, dimmable

\* Lamp during testing photometric

LD-long lamp  
 LK-lamp short  
 XX-number of LED modules  
 B-white LED  
 N- blue LED  
 S-dimmable  
 C-warm light  
 Z - cold-light



**Agropian System**

05-860 Płochocin  
 Szeroka 29 str.  
 Poland

Phone(+48 )22 722 59 81

E-mail:agropian@agropian.pl

